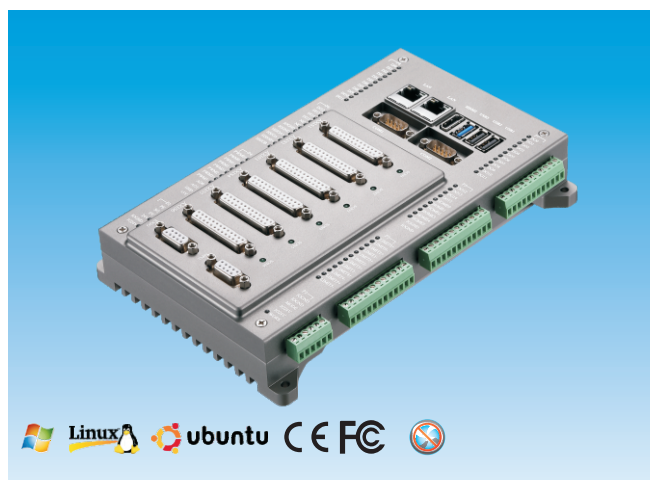


Robot-M600 Series

Intel Apollo Lake SoC Integrated Vision Motion Controller

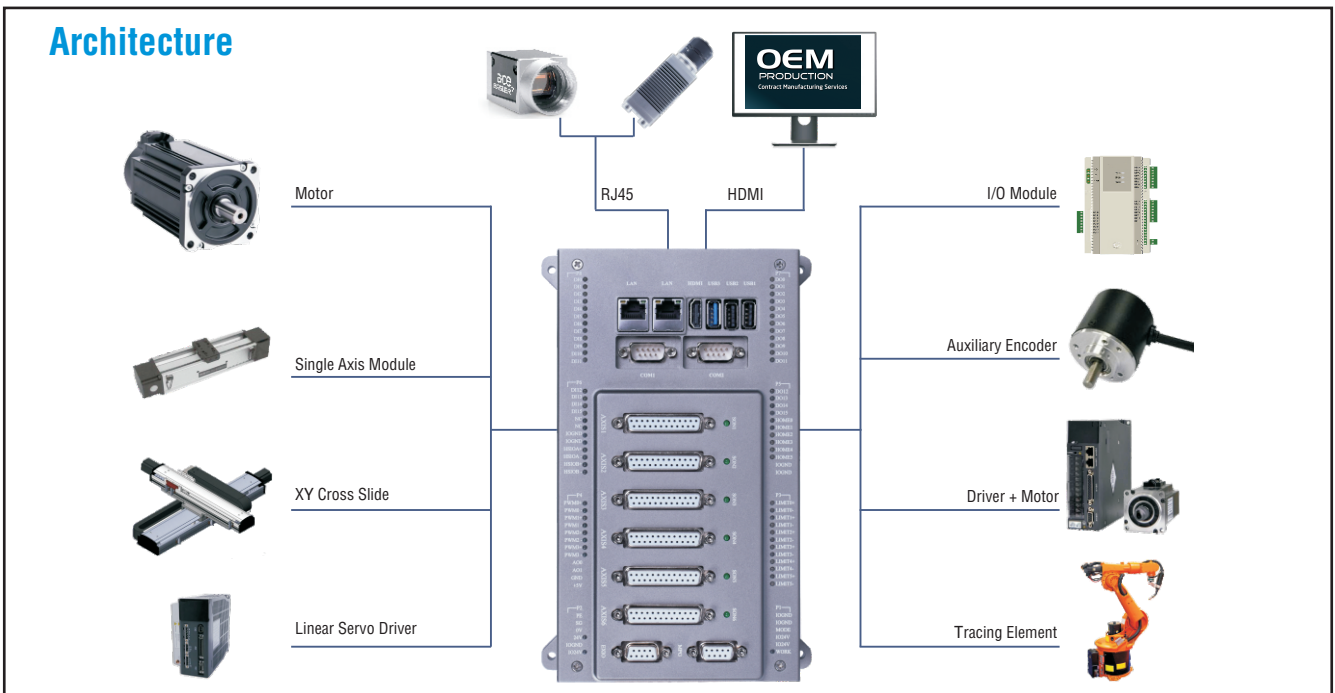
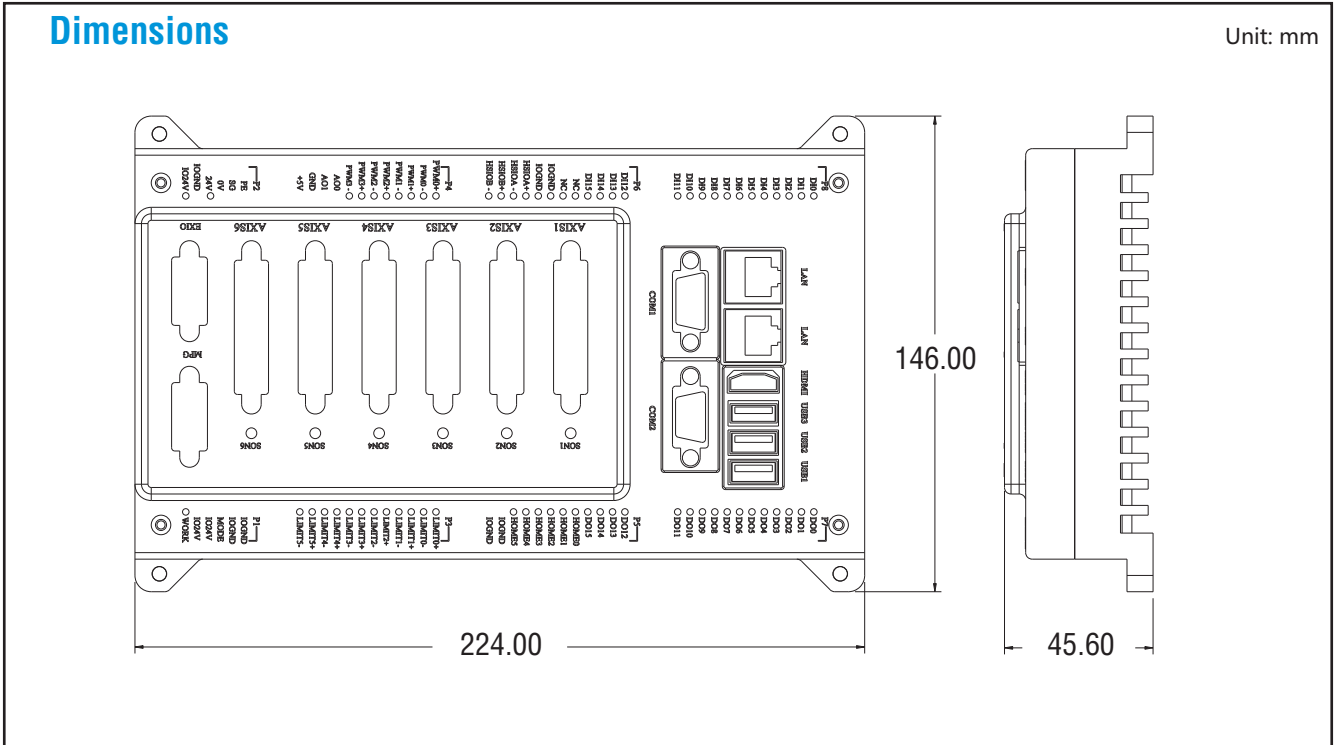


Features

- High-performance embedded processor
- DSP high-speed motion planning, FPGA accurate pulse counting, Multi-axis synchronous control
- Support Electronic Cam (Follow) / Position Time (PT)
- Two interpolation coordinate systems can be established at the same time
- With forward-looking processing algorithm, backlash compensation, pitch error compensation
- Support Trap/Jog/Electronic Gear Mode, 6 axis motion control
- Support any 2-axis curve, circular interpolation; support any 3/4-axis linear interpolation, spatial spiral interpolation

Specification

Robot-M600 Series		
Processor System	CPU	Intel Apollo Lake E3950 Quad Core
	Frequency	1.6GHz up to 2.0GHz
	L2 Cache	2 MB
	BIOS	AMI 16Mb UEFI BIOS
Memory	Technology	LPDDR4 Dual Channel
	Capacity	4GB (up to 8GB)
	Memory Chip	Memory chips Onboard
Storage	eMMC	64GB (up to 256GB)
Display	Chipset	Intel®HD Graphics 505
	Graphics Engine	4K Codec Decode& Encode for H.264 , MPEG2 , MVC , VC-1 , WMV9 , H.265 / HEVC , VP9
Ethernet	HDMI	Max. 4096 x 2304 @ 24Hz
I/O Interface	LAN	2 x Intel i211 GbE , support Wake On Lan
	Serial Ports	1 x RS232 , 1 x RS485
Function	USB Interface	1 x USB3.0, 2 x USB2.0
	Axis	6-Axis
	Control Mode	pulse / analog
	Control Cycle	1ms (pulse) / 250us (analog)
	Pulse Output	8MHZ
	Analog Output	-10v~+10V , 16bit
	Encoder	ABZ three phase difference signal , Max:4MHZ
	Motion Control Interface	Positive and negative limit , Origin home signal , Drive enable , Drive alarm , Drive reset
	Hard Capture	Encoder index signal , Origin home signal
	Auxiliary Encoder	1 Channel
	Position Comparison Output	Yes
	GPIO	16 Channel input / output (Opto-couplers isolation)
	SRIO	2 Channel
Expand I/O	Extend 256 Channel I/O (Opto-couplers isolation)	
OS	Microsoft Windows	Windows 10 64Bit
	Linux	Support
Physical Characteristics	Construction	Aluminium Alloy
	Dimensions (LxWxH)	224 x 146 x 45.6mm (LxWxH)
	Weight	1.2 Kg
Environment	Power	24V DC ± 10% , ICC=5A Min
	Operating Temperature	0°C~55°C , airflow 0.7m / s
	Storage Temperature	-40°C~80°C
	Relative Humidity	95% @ 40°C (Non-Condensing)
	EMC	CE/FCC Class B



Ordering Information

P/N	Description
M600-100	Intel x7-E3950 2.0G , 4GB LPDDR4, 64G eMMC, 6xAxis, 1xEncoder, 2xLAN, 3xUSB, 2xCOM, 16xDIO, 256xExpand I/O

Packing List

P/N	Description
	1 x M600 Unit
	1 x User Manual
	1 x Certificate of Approval